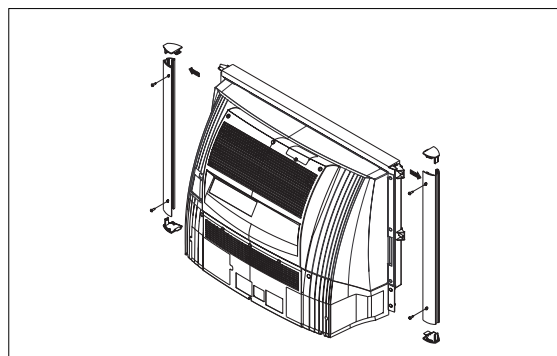
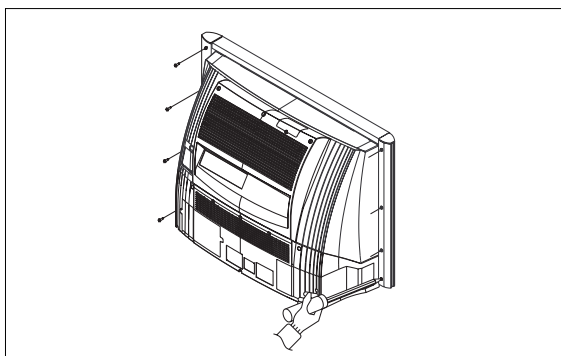


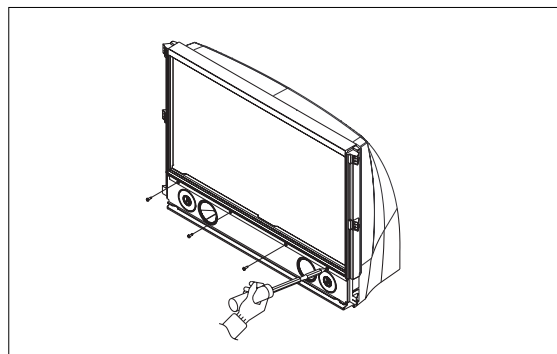
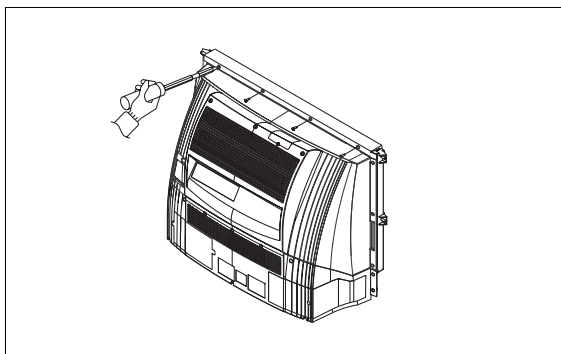
## 4. Disassembly and Reassembly

### 4-1-1 Cabinet Disassembly (HLM4365,HLM5065)

1. After removing the screws, pull the bottom and side holder part of the cabinet back wards.

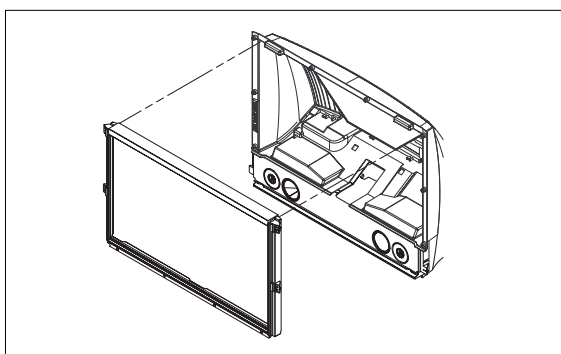


2. Loosen the screws and remove the supporter.



3. After loosening the screws, remove the lens cover and fan duct.

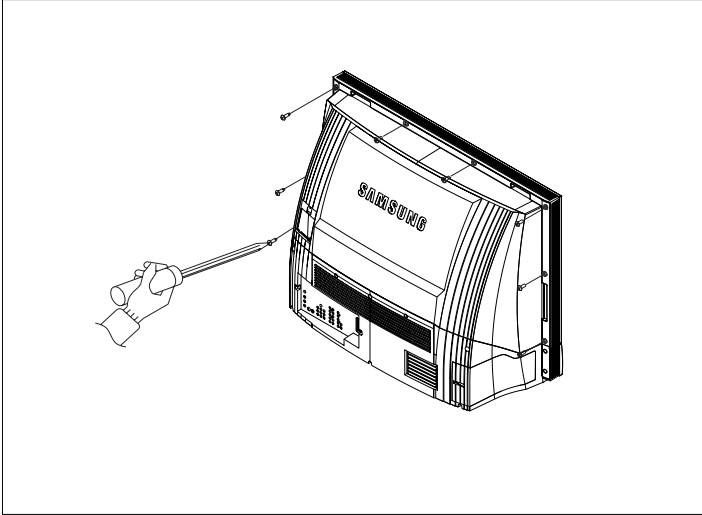
4. Loosen the screws. Remove the front mask.



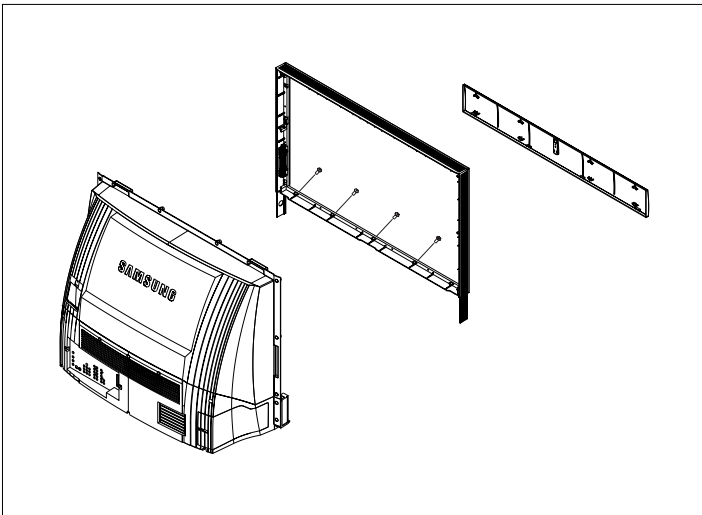
## 4-1-2 Cabinet Disassembly (HLM437,HLM507)

---

1. After removing the screws, pull the bottom and side holder part of the cabinet back wards.

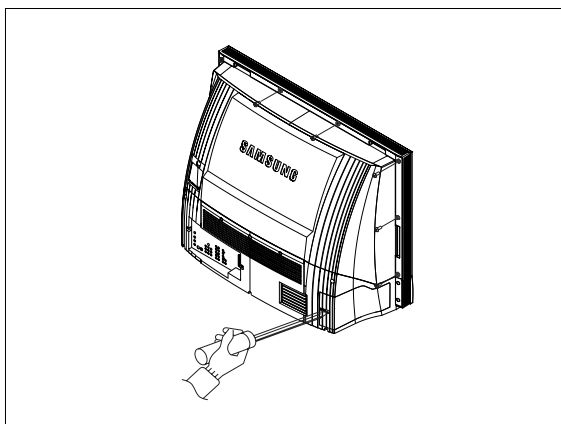


2. Loosen the screws and remove the supporter.

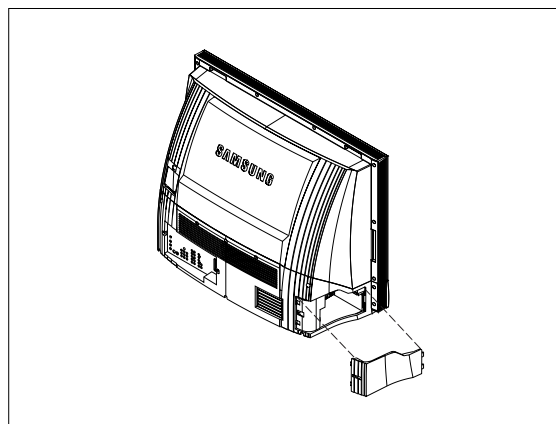


## 4-2 Lamp Replacement

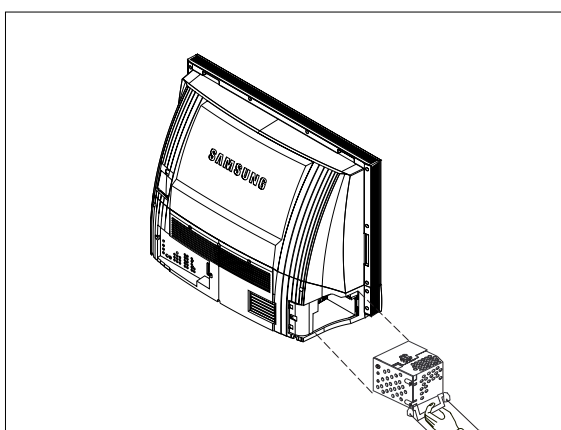
1. Loosen the screw.



2. Remove the cover.



3. Pull out the lamp.



### 4. PROCEDURE

After completing the lamp replacement, enter the Service Mode  
Press the remote control Keys in the following sequence:

“Power off → Mute → 1 → 8 → 2 → Power On”

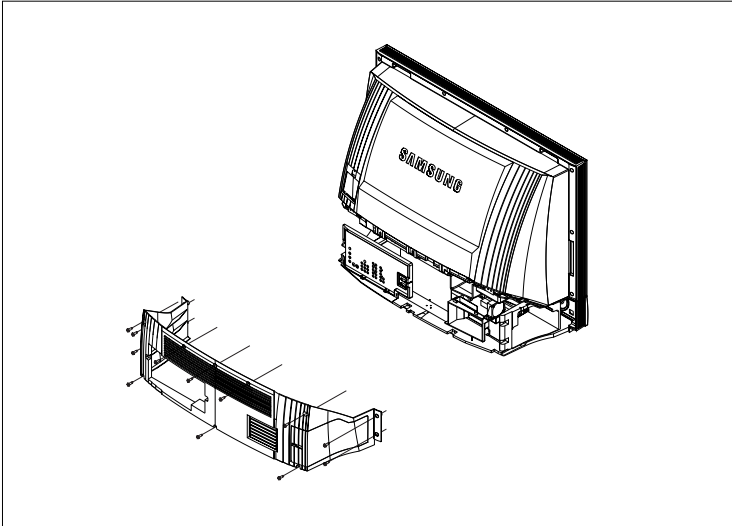
The Service Mode Screen appears in 15 ~ 30 seconds.

- (1) Select 7(OPTION) with using the joystick downward, and then select the LAMP CLEAR with using the joystick in the displayed menu.
- (2) Press the + key to select LAMPCLEAR OFF.
- (3) Press the + key, LAMPCLEAR CLEAR is displayed in the screen.
- (4) Exit factory mode.

## 4-3 DLP Engine & PCB Replacement

---

1. After removing the screws, pull the cabinet backwards.



2. Loosen the screws and pull out the optical engine.

